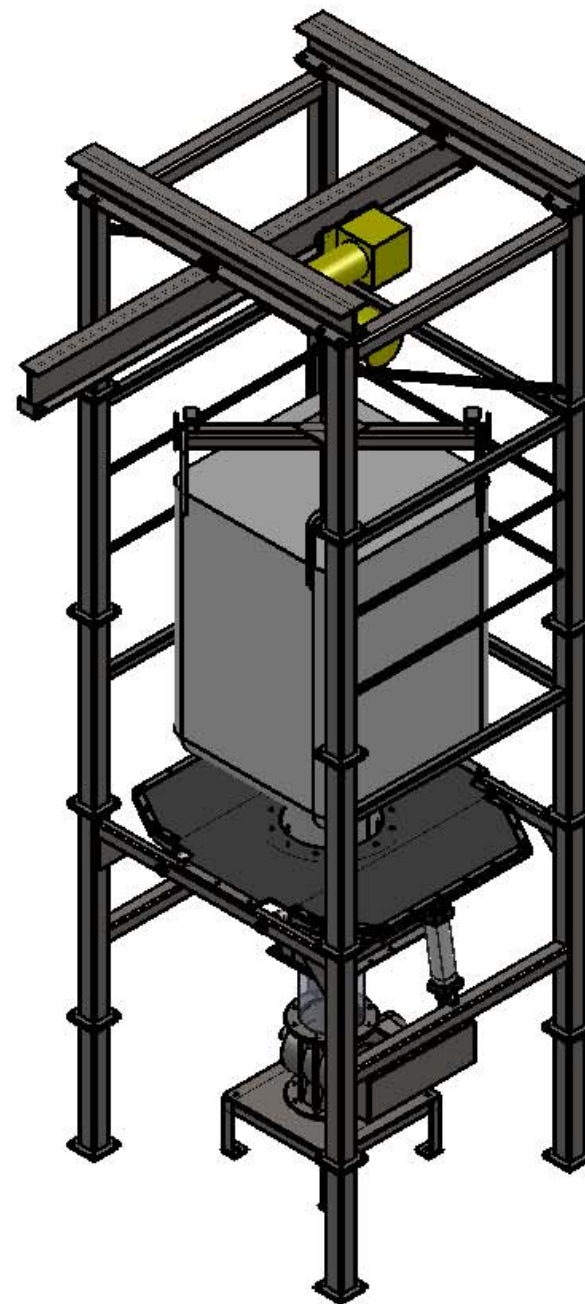


ITEM	QTY	DESCRIPTION	MATERIAL	WEIGHT (LBS)
1	1	BULK BAG UNLOADER HOIST	CS	1847
2	1	HOPPER WITH Ø10" OUTLET	SS304	60
3	1	Ø10" GATE VALVE	-	42.7
4	1	ROTARY VALVE Ø10", FLANGED ROTOLOCK	CS	150.00
5	1	ROTARY VALVE SUPPORT	CS	94
6	1	Ø10" FLEXIBLE SLEEVE	-	4.50



NOTES:

PRODUCT:

DENSITY:

WELDS:
BRUSHED & CLEANED

SURFACE PREPARATION:
SSPC-SP1 SPECIFICATIONS;
SSPC-SP2 OR SSPC-SP6 IF NEEDED;

PAINT:
APPLY 1 COAT OF ZINC PRIMER
POWDER COAT (2-3 MILS DRY);
APPLY 1 COAT OF POLYESTER POWDER
COAT (2-3 MILS DRY);

COLOR:
SIGNAL WHITE RAL 9003

MATERIAL:
CS / SS304

WEIGHT:
2581.91 lbs
XXX lbs (WITH BULK BAG)

QTY:

OA	PRELIMINARY	JR	2015-10-01
REV	DESCRIPTION	BY	DATE

TOLERANCES UNLESS OTHERWISE SPECIFIED			
X.X	±.02	HOLE	
X.XX	±.01	DECIMAL	FRACTION
X.XXX	±.005	+ .001	+ 1/64
FRACTION	± 1/16	- .000	- 0
ANG.	± 1°	CLEAN ALL SHARP EDGES (.015" R MAX.)	

CON-V-AIR INC.
SPECIALISTE EN MANUTENTION DE MATIÈRES EN VRAC
SPECIALIST IN SOLIDS HANDLING
3510, 1ère rue St-Hubert, (OC) J3Y 8Y5 - Tél.: 450-462-5959 - Fax: 450-462-0756
www.con-v-air.com info@con-v-air.com

PROJECT: -

TITLE: BULK BAG UNLOADER GENERAL ASSEMBLY

DRAWN BY: J. RACICOT, ing.jr VERIFIED BY:

DRAWING #: 10531-SYSGA1000 REV:

PROJECT #: - DATE: 2015-10-01 SCALE: 1:36 SHEET: 1 / 1